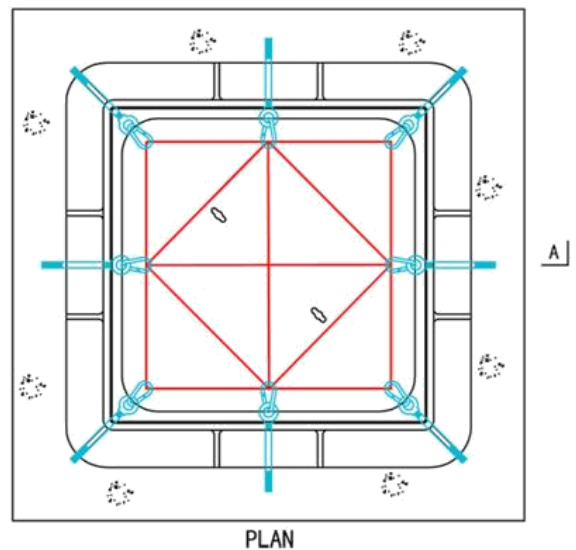
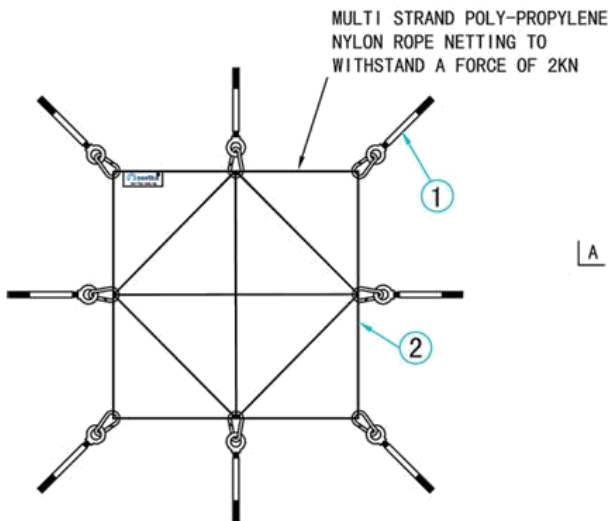
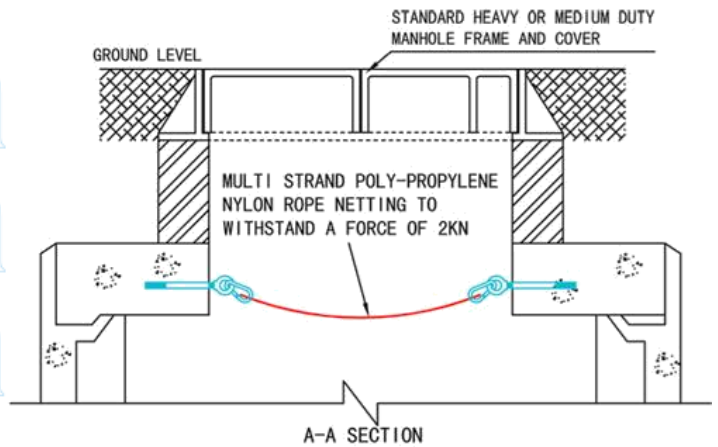
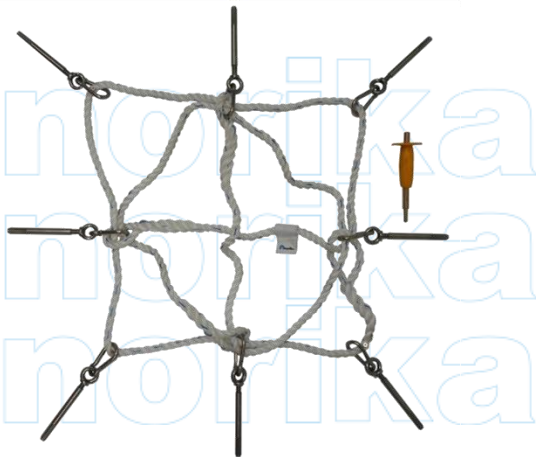


MULTI-STRAND POLY-PROPYLENE NYLON MANHOLE SAFETY NETTING



COMPONENT PARTS

Polypropylene safety rope are used to increase safety aspects in a manhole where workers can hold on to during emergencies

COMPONENT PARTS

ITEM	PARTS	MATERIAL
1	Anchor Sleeve	AISI316
2	Net	Poly-propylene Nylon

DIMENSIONS

SKU	Dia Of Rope (mm)	Anchor Sleeve	WEIGHT (Kg)
RCSN	13	M10	2.645
RCSN750	19	M10	3.900